

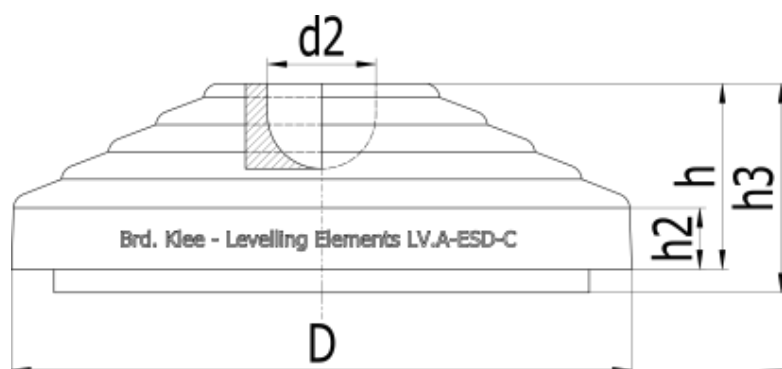
Data Sheet



Article number: 2310301246ESD

Description: E+G Antistatic base for levelling elements
LV.A-70-14-ESD-C

Measures



| | |
|-------------|---------|
| D | = 70 |
| d2 | = 14 |
| h | = 19 |
| h2 | = 7 |
| h3 | = 22 |
| N | = 14000 |
| Weight in g | = 30 |